

Ascent Touch Installation Reference Guide

Installation Specs

Your location's countertop will require a 2.5" hole for drain hose access (and a separate 3.5" hole for the optional chute bypass, if purchased with the unit)

Connection for a 3/4" (1.9cm) ID drain hose must be located within five feet (1.5 meters) of the machine. These must be completed prior to installation.

Dimensions

12.5" W x 27.8" D X 38.2" H

Weight

125lbs net/57kg net

Electric

200-240VAC 50/60Hz 30A Dedicated Circuit

Water

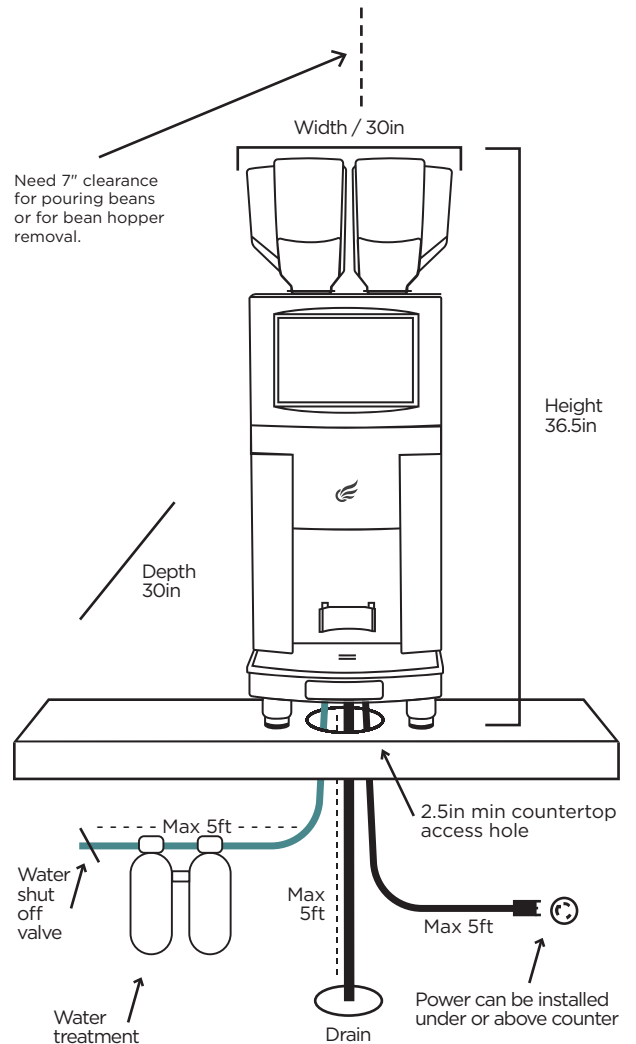
Min 25psi, Max 100psi, 25gal per/hr flow

Drain

3/4" indirect drain, OD of 1.25t", drain within 5 ft

Shipping Specs

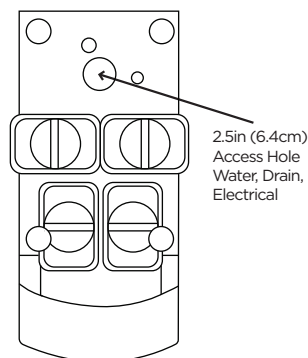
20" x 38" x 42", 200lbs



Scan here to complete pre-installation checklist



Top-Down View



Approved Drain Configurations

